



Product data sheet

6690

EAN-No. 4000896029266



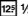



 1/2" •  1/2"



Application:

Rotation angle controlled screw tightening (e.g. cylinder head bolts)

- Flexible, magnetic holder for the fixed point
- To be used with operating tools
with  drive 1/2" (12.5 mm) (or 3/4" (20 mm)) and tools
with  drive 1/2" (12.5 mm) (or 3/4" (20 mm))
- Range 0–360°, graduation 1°, Ø 95 mm
- Made in Germany
- Drive:  1/2"
- Output:  1/2"
- Net weight: 0.29 kg
- For manual operation

Order Number

6690