

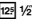

# Product data sheet

**900 SK-14** EAN-No. 4000896246380



Size 14 mm ·  · 



- **Extra short design**
- With borehole for locking pin or safety spring and groove for O-ring
- Surface: phosphatized, oiled
- DIN 3129, ISO 2725-2
- Made in Germany
- Drive: 
- Output: 
- Wrench size: 14 mm
- Dimensions / length: 29 mm
- Diameter d1 (output side): 22.1 mm
- Diameter d2 (drive side): 25 mm
- For impact operation

**Order Number**

900 SK-14