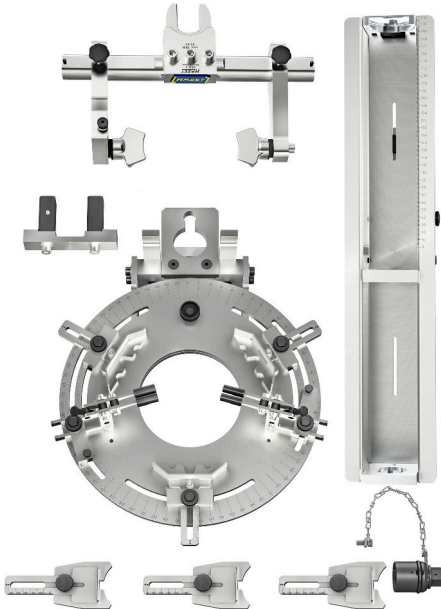


### 3-pieces



- Increased safety – thanks to load-free installation
- **Prerequisite:** if the 4900-2A safety spring vice basic unit is already available, this set is **the perfect choice** (for the complete set, see 4903/4)
- 3-piece set · Contents:
- 4903-1 Basic support
- 4903-2 universal clamping disc · adjustable
- 4903-3 universal tensioning jaw · adjustable, safety adapter included
- Can be used for almost any spring strut / shock absorber strut
- **Load-free disassembly / assembly with completely relieved shock absorber**

#### Innovative socket and installation concept

- Swivels in horizontal or vertical working position, HAZET recommends ergonomic working height: adjust vertically, operate horizontally
- Damage to shock absorbers and head plates impossible (no overload risk)
- Simple, lockable strut mount

#### High safety

- Consistently reliable mounting of head plates
- Thread damage to piston rod impossible
- Permanent fixation of spring throughout operation

#### Secured investment – by using existing components of SYSTEM 4900

- Existing basic units 4900-2A and all tensioning jaws of System 4900 may be used
- Use of future applications is assured

#### Allows record keeping by scaling

- If recurring, significant time savings by scaling
- Firm fixation eliminates readjustment at the same spring strut (left/right)

#### 4 steps to success:

1. Fix spring strut on clamping disc via gripper and brakes
2. Grip spring with universal tensioning jaw
3. Operate tensioning device with reversible ratchet, cordless screwdriver or pneumatic air ratchet

# Product data sheet

## 4903/3

EAN-No. 4000896180554



4. Disassemble shock absorber without load and install new one  
(afterwards in reverse order)

- Made in Germany
- Net weight: 54 kg
- Number of tools: 3

**Order Number**

4903/3

4903

4903-1 • 4903-2 • 4903-3