

# Product data sheet

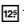

## 2250-4

EAN-No. 4000896015504



Length: 35 mm ·  1/2 ·  3/4



- $\square \frac{1}{2}''$  (12.5 mm) →  $\circ \frac{1}{4}''$  (6.3 mm)
- Inside square and inside hexagon holders
- With locking spring to securely hold the bits
- Surface: chrome-plated
- Made in Germany
- Drive:  1/2
- Output:  3/4
- Dimensions / length: 35 mm
- Net weight: 0.04 kg
- For manual operation

Order Number

2250-4