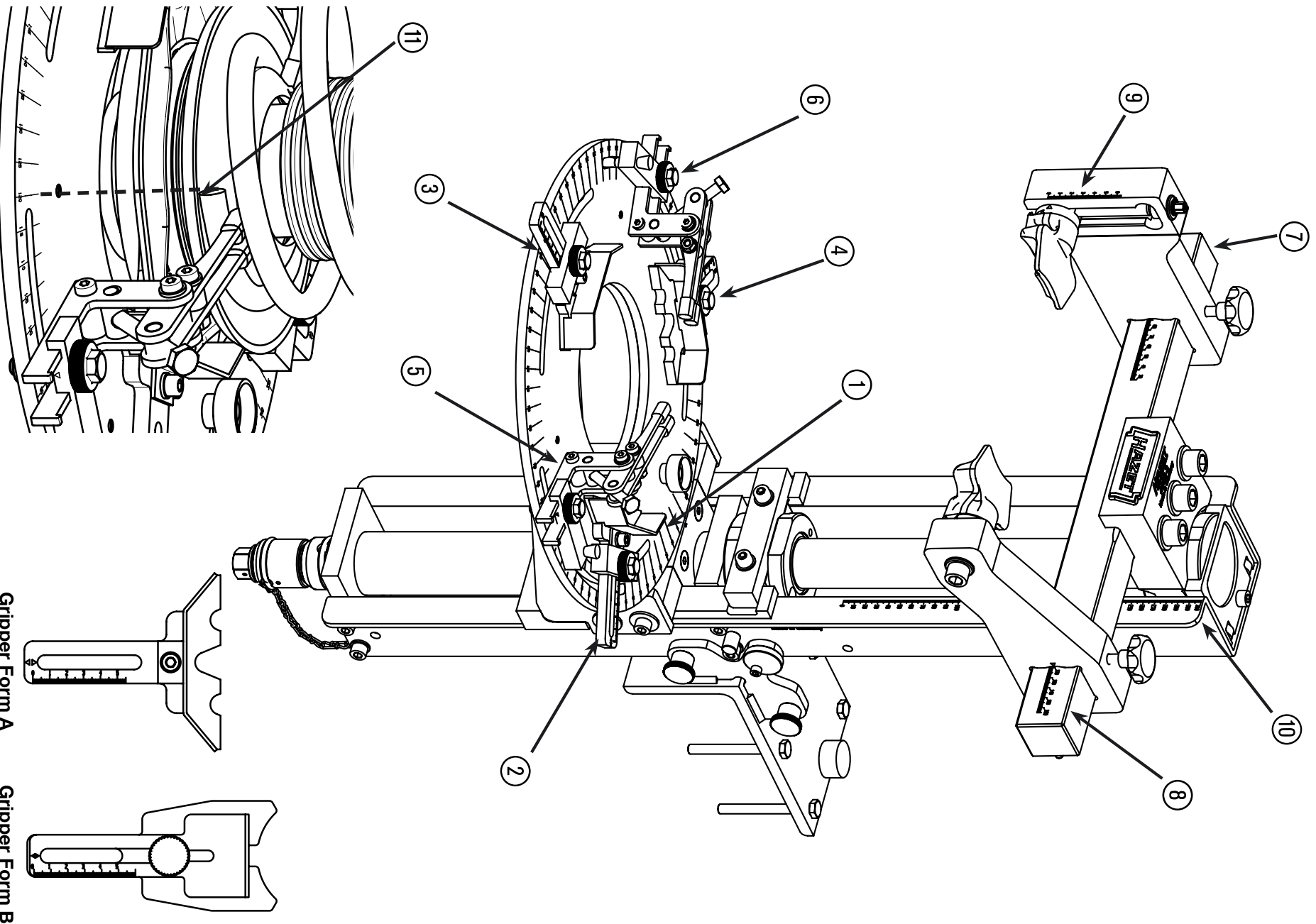


# 4903/4 Universal Spring Vice



Gripper Form A

Gripper Form B

# Adjustment data HAZET 4903/4 Universal Spring Vice



Issuer:

Date:

					4903-2											4903-3			4903-1		
Curr. No.	Date	Type of vehicle	Model Year	Axle	Clamping Disc ①	Gripper Form	Gripper ②		Gripper ③		Gripper ④		Brake ⑤	Brake ⑥	Spring End ⑪	Universal Tensioning Jaw			Base Support ⑩		
				FL / FR RL / RR	°	A / B	mm	°	mm	°	mm	°	°	°	°	Distance left ⑦ mm	Distance right ⑧ mm	Pitch ⑨ mm	Insertion mm	compres- sed mm	