

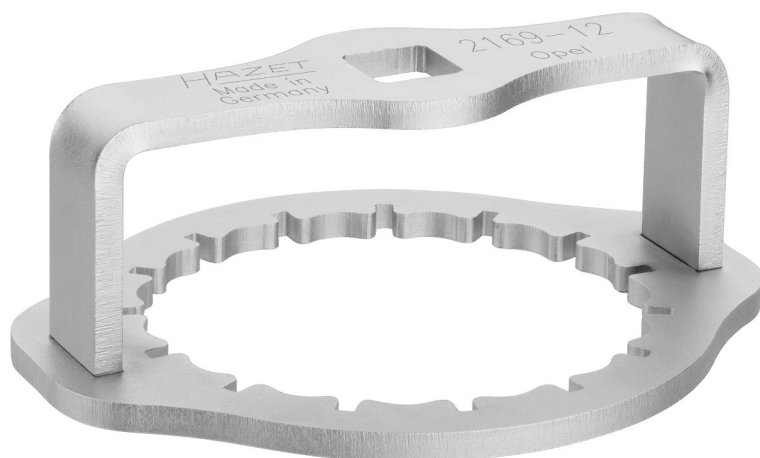
Product data sheet

2169-12

EAN-No. 4000896241798

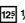


Size 74 mm ·  1/2



Application:

Operating oil filters and oil filter housings

- **15 grooves** s 74 mm
- Operation of **oil filters**
OPEL models Astra K · Insignia B with 1.5 diesel engines F15DVC · F15DVH with 77KW / 90KW
- Positive mounting of the oil filter housing
- Controlled screw tightening with torque wrench to the torque required by the manufacturer
- Drive 1/2" (12.5 mm)
- Made in Germany
- Drive:  1/2
- Wrench size: 74 mm
- Diameter: 107 mm
- For manual operation

Order Number

2169-12