

Product data sheet


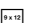
6423 D

EAN-No. 4000896057559



Length: 45 mm ·  · 



- Reducer for square insert 14 x 18 → 9 x 12
- Surface: chrome-plated
- Made in Germany
- Drive: 
- Output: 
- Dimensions / length: 45 mm
- Net weight: 0.08 kg
- For manual operation
- Inside micrometre of the adjusting tool I2: 20 mm
- Head Thickness a: 17 mm
- Head Width b: 22 mm

Order Number

6423 D