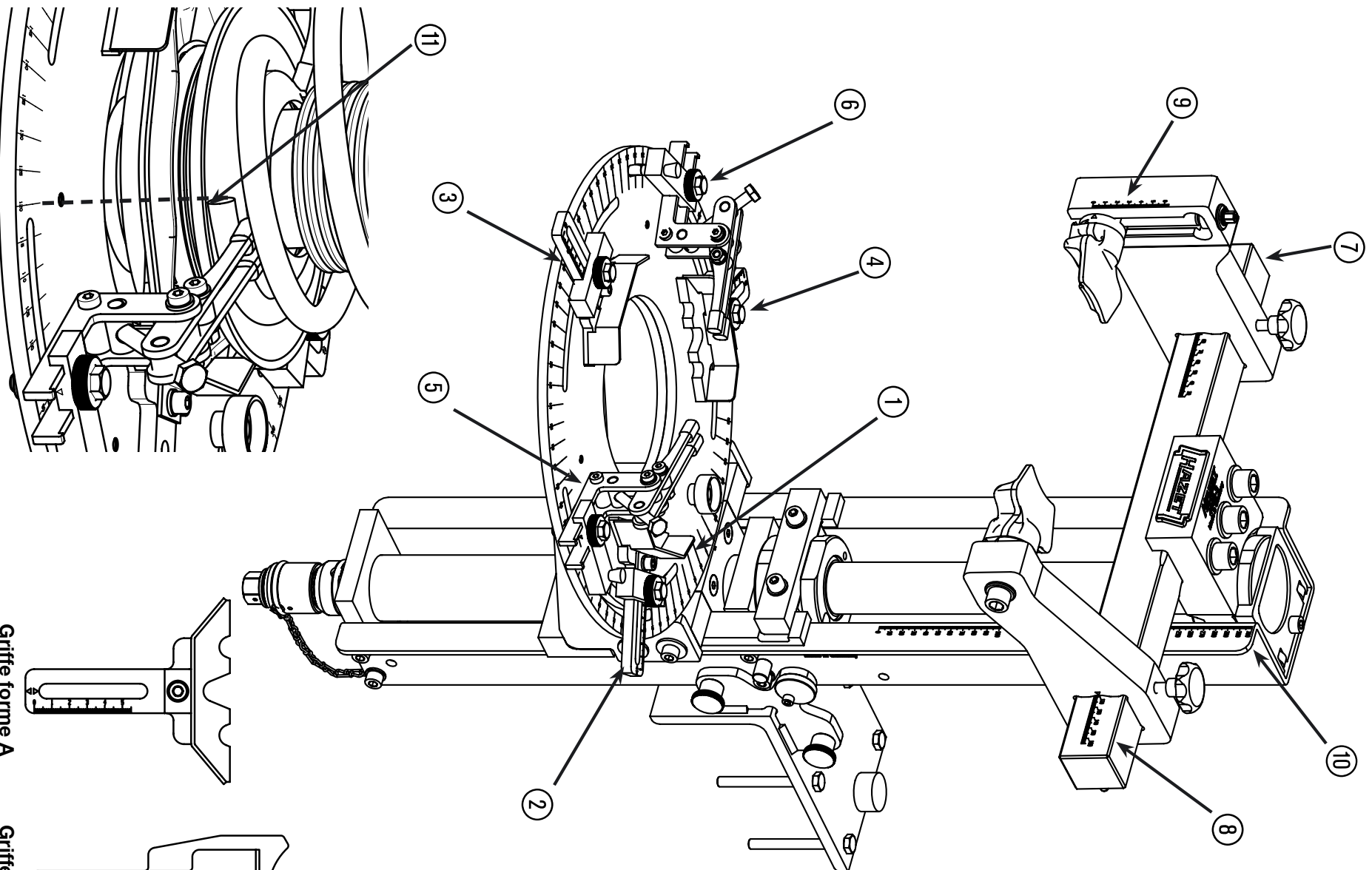


# 4903/4 Compresseur de ressort universel



Griffe forme A

Griffe forme B

# Données de réglage HAZET 4903/4 Compresseur de ressort universel



Exposant :

Date :

|             |      |                  |                       |                        | 4903-2                  |              |             |   |             |   |             |   |            |            |                                   | 4903-3                     |                            |                        | 4903-1                  |                      |  |
|-------------|------|------------------|-----------------------|------------------------|-------------------------|--------------|-------------|---|-------------|---|-------------|---|------------|------------|-----------------------------------|----------------------------|----------------------------|------------------------|-------------------------|----------------------|--|
| N° de série | Date | Type de véhicule | Année de construction | Essieu                 | Plateau de serrage<br>① | Griffe forme | Griffe<br>② |   | Griffe<br>③ |   | Griffe<br>④ |   | Frein<br>⑤ | Frein<br>⑥ | Extré-<br>mité du<br>ressort<br>⑪ | Coupelle universelle       |                            |                        | Support de base ⑩       |                      |  |
|             |      |                  |                       | AvG / AvD<br>ArG / ArD | °                       | A / B        | mm          | ° | mm          | ° | mm          | ° | °          | °          | °                                 | Distance<br>gauche<br>⑦ mm | Distance<br>droite<br>⑧ mm | Grada-<br>tion<br>⑨ mm | Introduc-<br>tion<br>mm | Com-<br>pressé<br>mm |  |
|             |      |                  |                       |                        |                         |              |             |   |             |   |             |   |            |            |                                   |                            |                            |                        |                         |                      |  |
|             |      |                  |                       |                        |                         |              |             |   |             |   |             |   |            |            |                                   |                            |                            |                        |                         |                      |  |
|             |      |                  |                       |                        |                         |              |             |   |             |   |             |   |            |            |                                   |                            |                            |                        |                         |                      |  |
|             |      |                  |                       |                        |                         |              |             |   |             |   |             |   |            |            |                                   |                            |                            |                        |                         |                      |  |
|             |      |                  |                       |                        |                         |              |             |   |             |   |             |   |            |            |                                   |                            |                            |                        |                         |                      |  |
|             |      |                  |                       |                        |                         |              |             |   |             |   |             |   |            |            |                                   |                            |                            |                        |                         |                      |  |
|             |      |                  |                       |                        |                         |              |             |   |             |   |             |   |            |            |                                   |                            |                            |                        |                         |                      |  |
|             |      |                  |                       |                        |                         |              |             |   |             |   |             |   |            |            |                                   |                            |                            |                        |                         |                      |  |
|             |      |                  |                       |                        |                         |              |             |   |             |   |             |   |            |            |                                   |                            |                            |                        |                         |                      |  |
|             |      |                  |                       |                        |                         |              |             |   |             |   |             |   |            |            |                                   |                            |                            |                        |                         |                      |  |
|             |      |                  |                       |                        |                         |              |             |   |             |   |             |   |            |            |                                   |                            |                            |                        |                         |                      |  |
|             |      |                  |                       |                        |                         |              |             |   |             |   |             |   |            |            |                                   |                            |                            |                        |                         |                      |  |
|             |      |                  |                       |                        |                         |              |             |   |             |   |             |   |            |            |                                   |                            |                            |                        |                         |                      |  |